

**ELECTRICAL**

RESISTANCE RANGE ----- SEE CHART  
 RESISTANCE TOLER. ----- ±10%  
 LINEARITY ----- SEE CHART  
 INSULATION RESISTANCE ----- 100 MEGOHMS AT 500 VDC  
 DIELECTRIC STRENGTH ----- 900VDC MIN  
 RESOLUTION ----- ESSENTIALLY INFINITE  
 OUTPUT SMOOTHNESS ----- LESS THAN 0.2% OF INPUT VOLTAGE  
 CONTACT RESISTANCE VARIATION ----- LESS THAN 5%  
 POWER RATING ----- SEE CHART  
 ELECTRICAL STROKE ----- SEE CHART

**MECHANICAL**

MECHANICAL STROKE ----- SEE CHART  
 ACTUATING FORCE ----- 5 OZ.  
 STOP STRENGTH ----- 10 LBS.

**ENVIRONMENTAL**

OPERATING TEMPERATURE ----- -30°C TO +85°C  
 TEMPERATURE COEFFICIENT ----- ±100 P.P.M./°C  
 VIBRATION ----- 10HZ TRQ 2000HZ 15G  
 SHOCK ----- 50G 11ms  
 MOISTURE RESISTANCE ----- 40°C 95%RH 120 HOURS  
 EXPECTED LIFE ----- 2,000,000 STROKES

**NON-STANDARD OPTIONS**

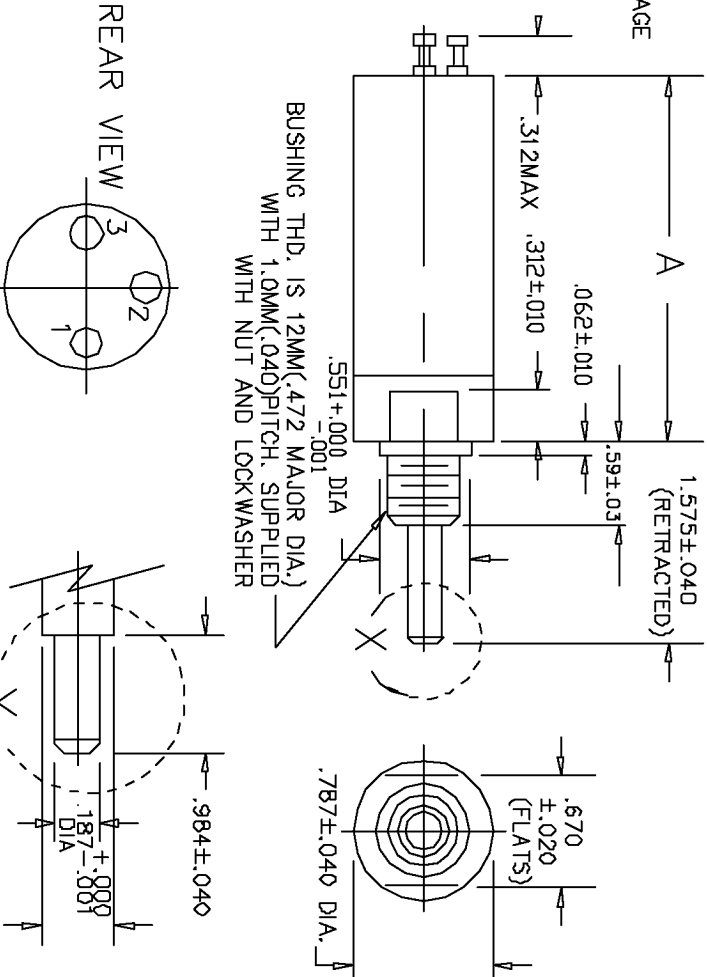
RESIS. TOL ±3%  
 MACHINED SHAFTS  
 EXTRA TAP  
 WIREWOUND ELEMENT  
 CONDUCTIVE PLASTIC ELEMENT  
 SPECIAL LINEARITY  
 OIL FILLED



**SCHEMATIC**

EXTENDED

REV.	BY	DATE	PART NO.
			LHR20



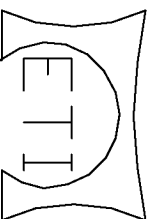
**REAR VIEW**

POWER RATING	WEIGHT	DASH NO.	MECHANICAL STROKE±.06	ELECTRICAL STROKE±.04	RESISTANCE RANGE=OHMS	LINEARITY ±
.75W	.3LB.	-50	2.087	1.968	500,1K 2K,5K	±1.0% A
1.25W	.35LB.	-100	4.055	3.937	1K,2K,5K,10K	±0.5% 7.283
2.00W	.70LB.	-200	7.992	7.874	1K,2K,5K,10K	±0.5% 11.220

THIS DOCUMENT CONTAINS PROPRIETARY DATA OF POLARIS INDUSTRIAL ENTERPRISES, INC. NO DISCLOSURE, REPRODUCTION, OR USE OF ANY PART THERE OF MAY BE MADE EXCEPT BY WRITTEN PERMISSION.

**TITLE**

LINEAR MOTION  
 POTENTIOMETER



DCEANSIDE  
 SYSTEMS  
 CALIFORNIA

PART NO.

LHR20

**HYBRID  
 RESISTANCE ELEMENT**

**TOLERANCES**

XX = +/- .010° FRACT. = +/- 1/64"  
 XXX = +/- .005° ANGLES = +/- 1/2°

ALL SPECIFICATIONS SUBJECT TO CHANGE WITHOUT NOTICE.

SCALE	NONE
DATE:	6-1-89
BY	
APPRV'D	BT

CODE IDENT:  
 19477