

THIS DOCUMENT CONTAINS PROPRIETARY DATA OF POLARIS INDUSTRIAL ENTERPRISES, INC. NO DISCLOSURE, REPRODUCTION, OR USE OF ANY PART THERE OF MAY BE MADE EXCEPT BY WRITTEN PERMISSION.

REV.	BY	DATE	APPRVL.	P/N	FC270D-10
A	AT	7-30-03			REVISED OPTIONS AND CABLE LENGTH

**ELECTRICAL**

RESISTANCE = 10K ±20%  
 LINEARITY = ±3%  
 ELECTRICAL ANGLE = APPROX. 90°  
 OUTPUT SMOOTHNESS = BELOW 0.2% OF INPUT  
 CONTACT RESISTANCE VARIATION = < 5%CRV  
 RESOLUTION = ESSENTIALLY INFINITE  
 DIELECTRIC STRENGTH = 500VAC, 1 MIN.  
 INSULATION RESISTANCE = 1000 MEGOHM MIN  
 AT 500 VDC  
 WIPER CURRENT = 1mA MAX

**MECHANICAL**

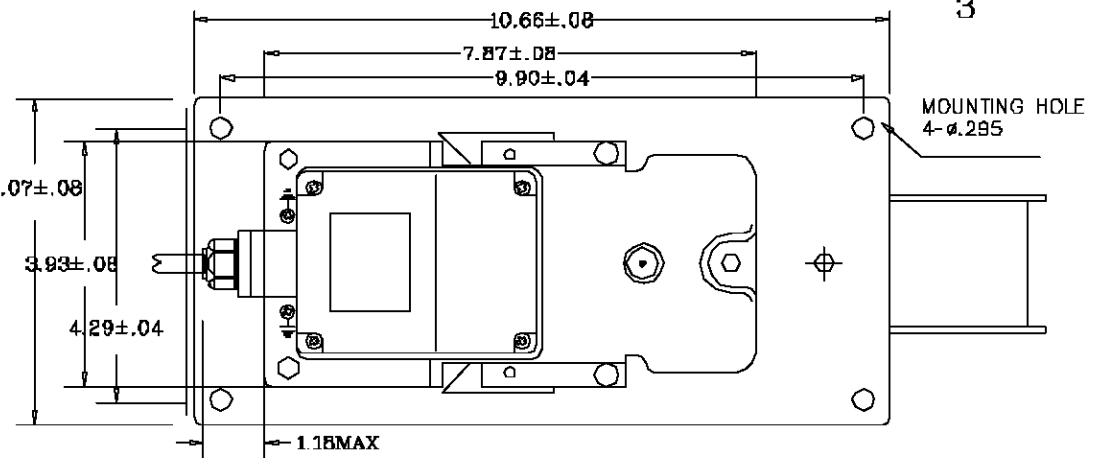
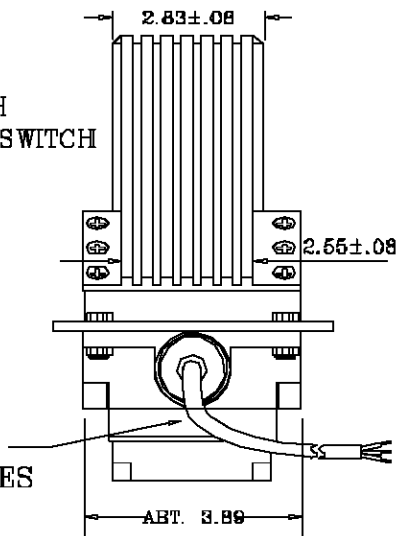
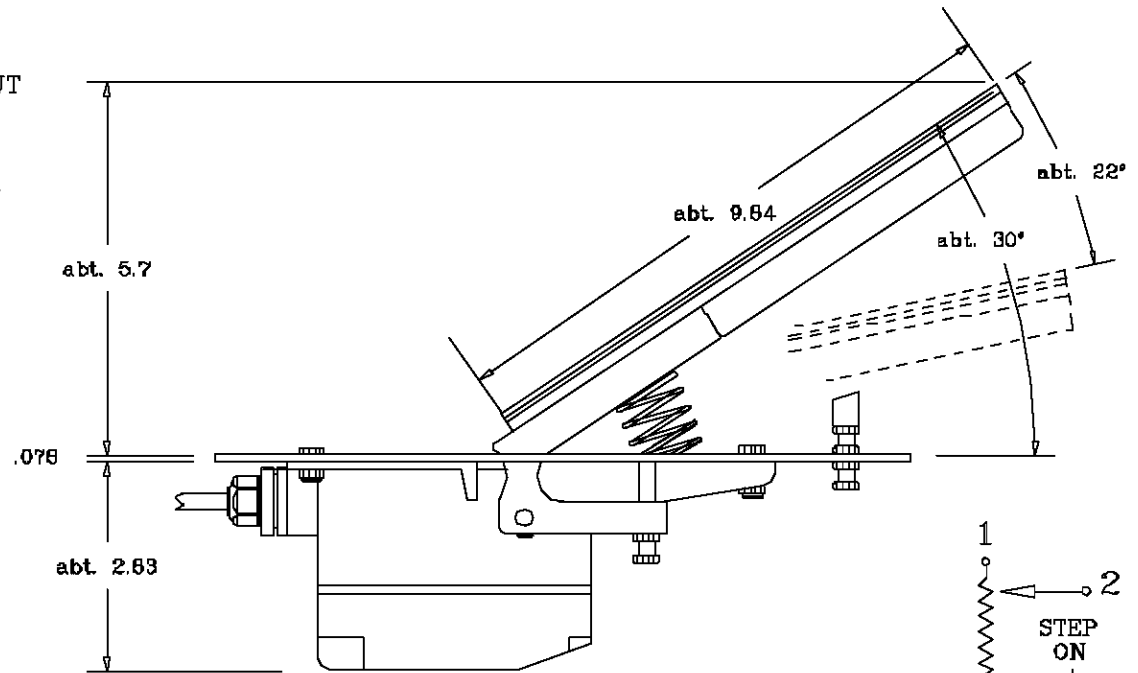
OPERATING ANGLE = APPROX. 22°  
 OPERATING FORCE = 800gf~2200gf  
 AUTOMATIC SPRING RETURN  
 OPERATING TEMPERATURE = -20°~+65°C  
 WEIGHT = APPROX. 2KG

**ENVIRONMENTAL**

VIBRATION = 10~55HZ 10G  
 SHOCK = 30G  
 IP RATING = 54

**OPTIONS**

1 mA, 24V SWITCH  
 5 A, 125V MICRO SWITCH  
 DUAL GANGED.  
 IP65 RATING.



2251 LAS PALMAS DRIVE  
 CARLSBAD, CA 92009  
 PHONE: (760) 929-0749  
 FAX : (760) 929-0748  
 WWW.ETISYSTEMS.COM

TITLE  
 FOOT  
 PEDAL

PART NO.  
 FC270D-10