

P/N J4-00211

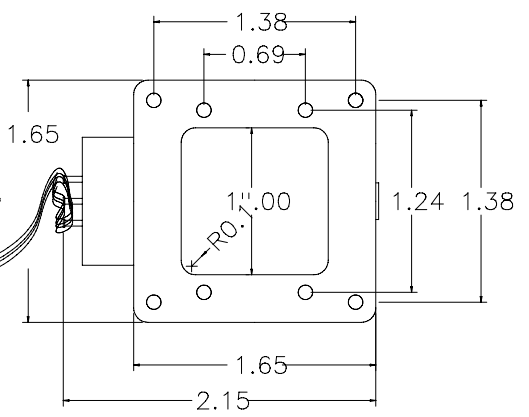
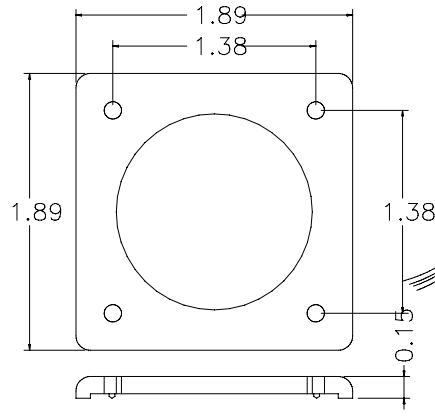
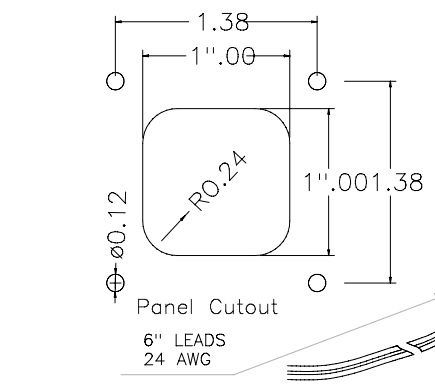
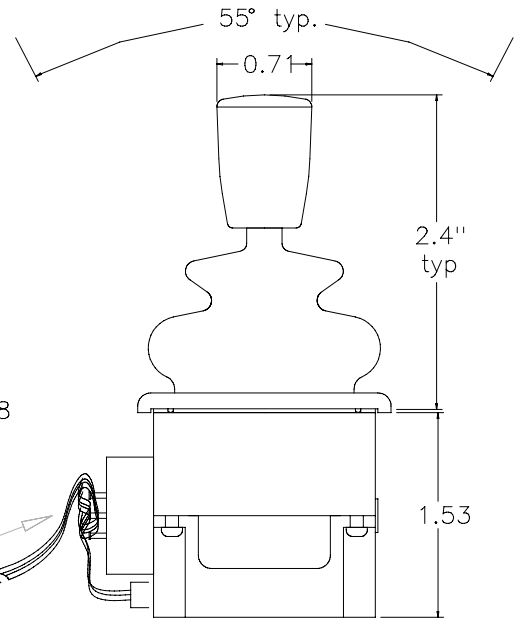
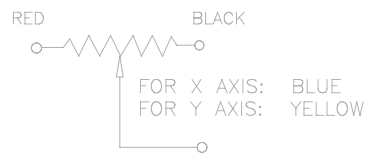
ELECTRICAL CHARACTERISTICS.

- RESISTIVE JOYSTICK
- RESISTANCE _____ 5K OHMS
- SIGNAL SWING(FROM CENTER) _____ 41% TO 59% VS
- RESISTANCE TOLERANCE _____ ±5%
- SUPPLY CURRENT _____ TYPICALLY 1mA
- OPERATING TEMPERATURE _____ -20°C - +55°C
- PREFERRED LOAD (TYPICAL) _____ >100K

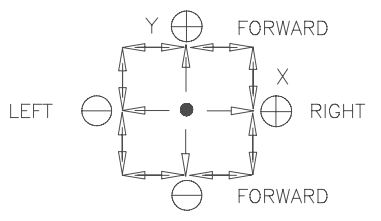
MECHANICAL CHARACTERISTICS.

- BODY _____ GLASS RE-ENFORCED ABS
- SHAFT MATERIAL _____ A303 STAINLESS STEEL
- SHAFT DIAMETER _____ .200 TYPICAL
- WASHER PLATE _____ BRASS OR ACETAL
- GIMBAL PIVOT _____ ACETAL
- CENTERING CONE _____ BRASS OR ACETAL
- SPRING _____ STAINLESS STEEL
- PIVOT PINS _____ HARDENED STEEL
- LIMITER PLATE _____ GLASS RE-ENFORCED NYLON
- BEZELS _____ GLASS RE-ENFORCED NYLON
- KNOB _____ DURAPLAST
- LEVER DEFLECTION _____ ±27.5°
- ENVIRONMENTAL _____ IP 65 ABOVE PANEL
- WEIGHT _____ 70g TYPICAL
- SERVICE LIFE _____ 10 MILLION CYCLES TYPICAL
- BOOT _____ VINYL

SCHEMATIC



LEVER DIRECTION



TOLERANCES
 XX = +/- .010" FRACT. = +/- 1/64"
 XXX = +/- .005" ANGLES = +/- 1/2"
 ALL SPECIFICATIONS SUBJECT TO CHANGE WITHOUT NOTICE.

SCALE NONE	DATE: 6-02-03
	BY: AT
	APPR'D:
CODE IDENT: 19477	



TITLE
 RESISTIVE JOYSTICK

PART NO.
 J4-00211