

ELECTRICAL CHARACTERISTICS.

RESISTANCE ELEMENT - - - - - CONDUCTIVE PLASTIC  
 RESISTANCE RANGE(OHM) - - - - - 1K,5K,10K(OTHER VALUES UPTO 100K)  
 RESISTANCE TOLERANCE - - - - - ±20%  
 BEST POSSIBLE RESISTANCE TOLERANCE - - - ±10%  
 LINEARITY INDEPENDENT - - - - - ±5%  
 BEST POSSIBLE LINEARITY INDEPENDENT - - - ±3%  
 ELECTRICAL ANGLE EUP125 - - - - - 300°±5°  
 ELECTRICAL ANGLE EUP120 - - - - - 300°±5° WITH ENDSTOPS  
 RESOLUTION - - - - - ESSENTIALLY INFINITE  
 TEMPERATURE COEFFICIENT - - - - - ±400 PPM/°C  
 POWER RATING (+70°C) - - - - - .5 WATT  
 INSULATION RESISTANCE - - - - - 1000MEGOHMS @ 500VDC MIN.  
 DIELECTRIC STRENGTH - - - - - 750 VAC  
 MAXIMAL WIPER CURRENT - - - - - 1 mA

MECHANICAL CHARACTERISTICS.

ROTATION EUP125 - - - - - 360° CONTINUOUS  
 ROTATION EUP120 - - - - - 320° ±10° WITH ENDSTOPS  
 STOP STRENGTH (EUP120) - - - - - 50 OZ-IN  
 BEARING TYPE - - - - - SLEEVE  
 TORQUE STARTING - - - - - 0.7 OZ.IN.  
 TORQUE RUNNING - - - - - 0.5 OZ. IN.

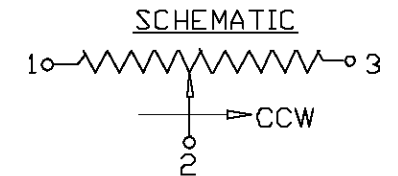
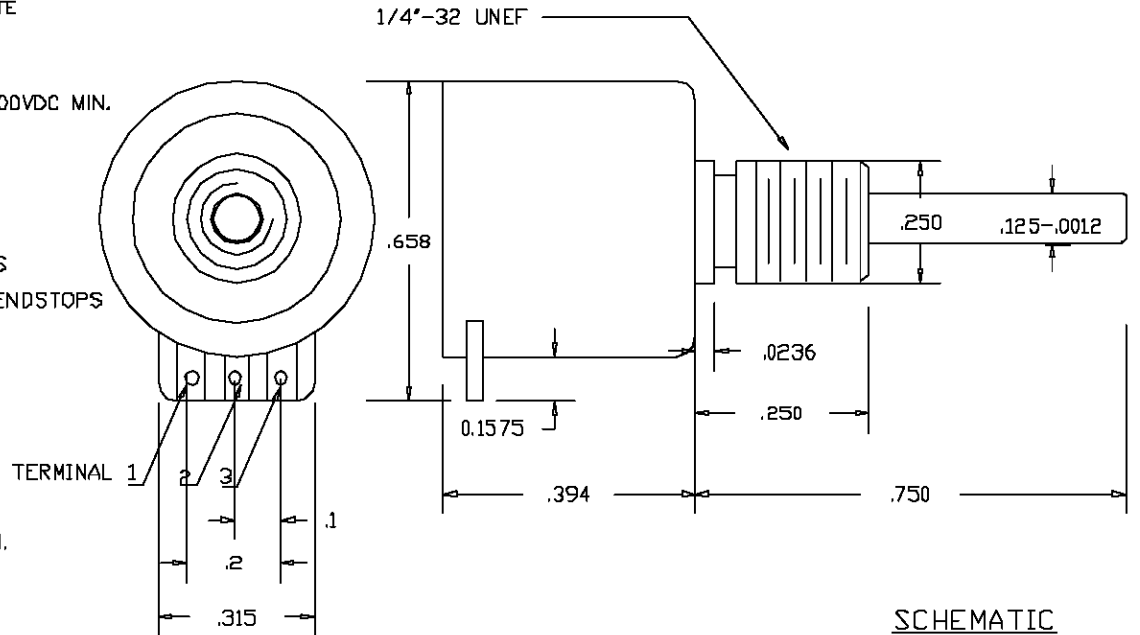
ENVIRONMENTAL CHARACTERISTICS.

ROTATIONAL LIFE - - - - - 100,000 TURNS MIN.  
 OPERATING TEMPERATURE - - - - - -35°C TO +105°C

MATERIALS

HOUSING - - - - - THERMOSET  
 SHAFT - - - - - STAINLESS STEEL  
 TERMINALS - - - - - SOLDERING PINS  
 MOUNTING HARDWARE - - - - - LOCKWASHER,NUT-BRASS,NICKLE-PLATED  
 BUSHINGS - - - - - BRASS

REV.	BY	DATE	PART NO.	EUP120/125



CONDUCTIVE PLASTIC ELEMENT	SCALE	NONE
	DATE:	5-01-03
	BY	AT
<u>TOLERANCES</u> XX = +/- .010" FRACT. = +/- 1/64" XXX = +/- .005" ANGLES = +/- 1/2° ALL SPECIFICATIONS SUBJECT TO CHANGE WITHOUT NOTICE.	APPRV'D	
	CODE IDENT:	19477

THIS DOCUMENT CONTAINS PROPRIETARY DATA OF POLARIS INDUSTRIAL ENTERPRISES, INC. NO DISCLOSURE, REPRODUCTION, OR USE OF ANY PART THERE OF MAY BE MADE EXCEPT BY WRITTEN PERMISSION.

TITLE

SINGLE TURN POTENTIOMETER

CARLSBAD CALIFORNIA

PART NO.

EUP120/125