

ELECTRICAL CHARACTERISTICS.

RESISTANCE ELEMENT - - - - - CONDUCTIVE PLASTIC  
 RESISTANCE RANGE(OHM) - - - - - 2K,5K,10K(OTHER VALUES UPTO 100K)  
 RESISTANCE TOLERANCE - - - - - ±20%  
 BEST POSSIBLE RESISTANCE TOLERANCE - - - ±10%  
 LINEARITY INDEPENDENT - - - - - ±2%  
 BEST POSSIBLE LINEARITY INDEPENDENT - - - ±1%  
 ELECTRICAL ANGLE EUP3225 - - - - - 350°±4°  
 ELECTRICAL ANGLE EUP3200 - - - - - 340°±5° WITH ENDSTOPS  
 RESOLUTION - - - - - ESSENTIALLY INFINITE  
 TEMPERATURE COEFFICIENT - - - - - ±600 PPM/°C  
 POWER RATING (+70°C) - - - - - 2WATT  
 INSULATION RESISTANCE - - - - - 1000MEG OHMS @ 500VDC MIN.  
 DIELECTRIC STRENGTH - - - - - 1000 VAC  
 MAXIMAL WIPER CURRENT - - - - - 1 mA

MECHANICAL CHARACTERISTICS.

ROTATION EUP3225 - - - - - 360° CONTINUOUS  
 ROTATION EUP3200 - - - - - 340° ±5° WITH ENDSTOPS  
 STOP STRENGTH (EUP3200) - - - - - 50 OZ-IN  
 BEARING TYPE - - - - - SLEEVE  
 TORQUE STARTING - - - - - 1.0 OZ.IN.  
 TORQUE RUNNING - - - - - 0.7 OZ. IN.

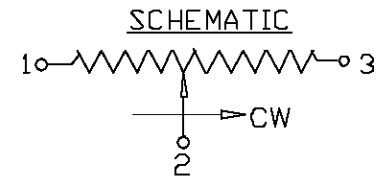
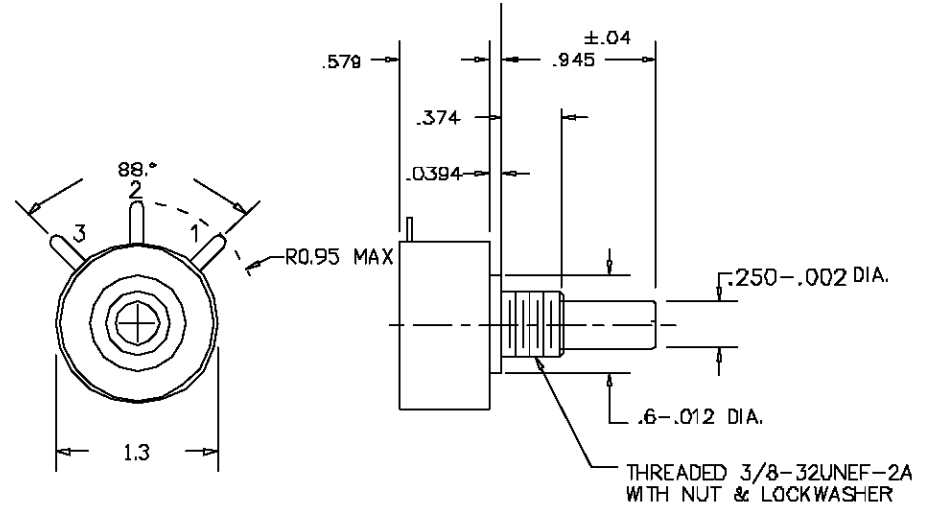
ENVIRONMENTAL CHARACTERISTICS.

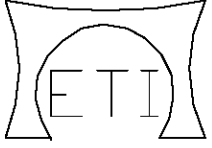
ROTATIONAL LIFE - - - - - 2000,000 TURNS MIN.  
 OPERATING TEMPERATURE - - - - - -35°C TO +105°C

MATERIALS

HOUSING - - - - - THERMOSET  
 SHAFT - - - - - STAINLESS STEEL  
 TERMINALS - - - - - BRASS, GOLD PLATED  
 MOUNTING HARDWARE - - - - - LOCKWASHER,NUT-BRASS,NICKLE-PLATED  
 BUSHINGS - - - - - BRASS

REV.	BY	DATE	PART NO.
			EUP3200/3225



CONDUCTIVE PLASTIC ELEMENT	SCALE	NONE	THIS DOCUMENT CONTAINS PROPRIETARY DATA OF POLARIS INDUSTRIAL ENTERPRISES, INC. NO DISCLOSURE, REPRODUCTION, OR USE OF ANY PART THERE OF MAY BE MADE EXCEPT BY WRITTEN PERMISSION.	 CARLSBAD CALIFORNIA
	DATE:	5-01-03		
	BY	AT		
<u>TOLERANCES</u>		APPRV'D	TITLE	PART NO.
XX = +/- .010" FRACT. = +/- 1/64" XXX = +/- .005" ANGLES = +/- 1/2° ALL SPECIFICATIONS SUBJECT TO CHANGE WITHOUT NOTICE.		CODE IDENT: 19477	SINGLE TURN POTENTIOMETER	EUP3200/3225