

THIS DOCUMENT CONTAINS PROPRIETARY DATA OF POLARS INDUSTRIAL ENTERPRISES, INC. NO DISCLOSURE, REPRODUCTION, OR USE OF ANY PART THEREOF MAY BE MADE EXCEPT BY WRITTEN PERMISSION.

REV.	BY	DATE	APPRVL.	P/N	FC200E-10

ELECTRICAL

RESISTANCE = 10K ±20%
 LINEARITY = ±3%
 ELECTRICAL ANGLE = APPROX. 35°
 OUTPUT SMOOTHNESS = BELOW 0.2% OF INPUT
 CONTACT RESISTANCE VARIATION = <5%CRV
 RESOLUTION = ESSENTIALLY INFINITE
 DIELECTRIC STRENGTH = 500VAC, 1 MIN.
 INSULATION RESISTANCE = 1000 MEGOHM MIN
 AT 500 VDC
 WIPER CURRENT = 1mA MAX

MECHANICAL

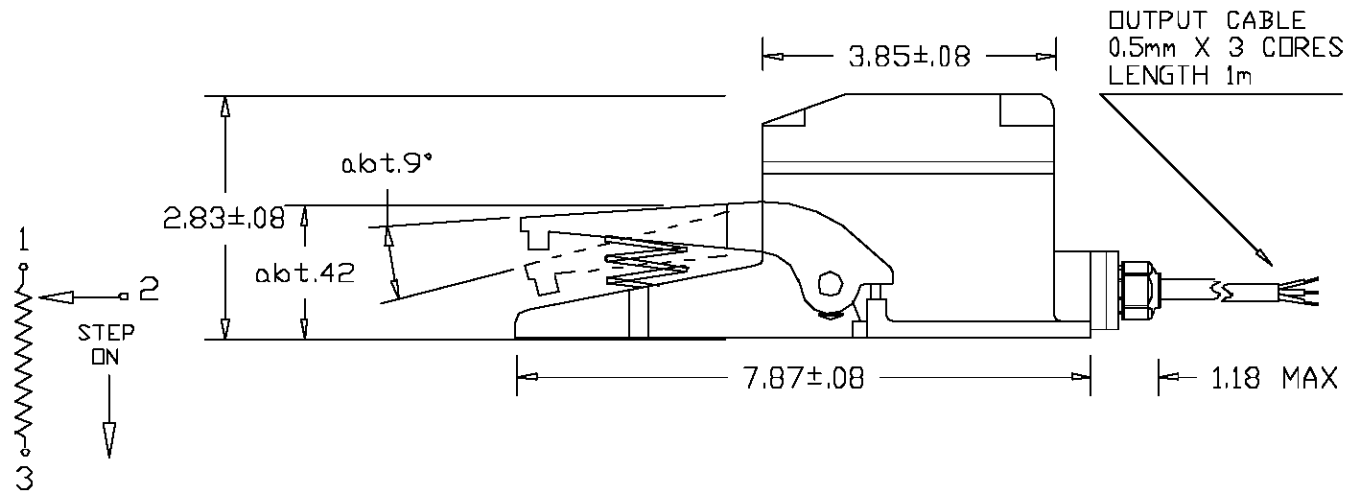
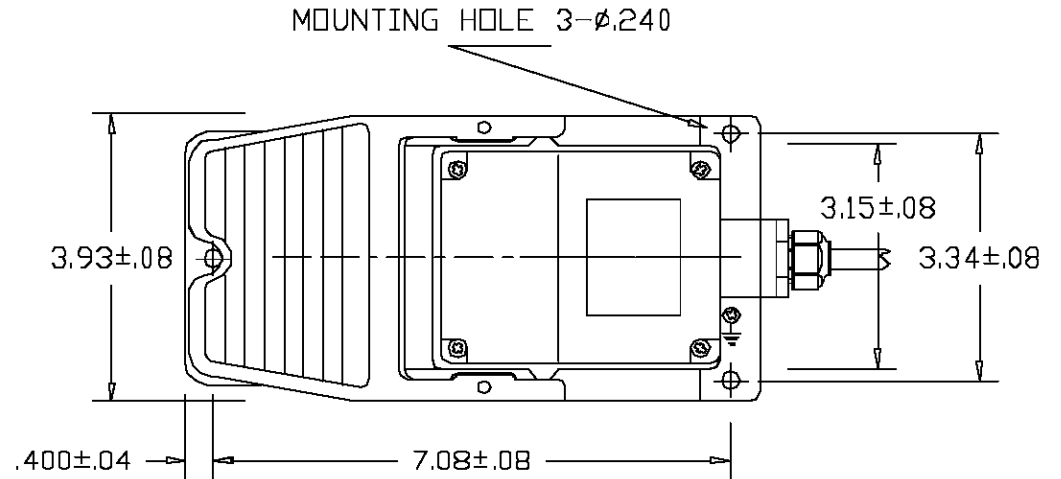
OPERATING ANGLE = APPROX. 9°
 OPERATING FORCE = 1500gf.~4000gf.
 AUTOMATIC SPRING RETURN
 OPERATING TEMPERATURE = -20°~+65°C
 WEIGHT = APPROX. 1 KG

ENVIRONMENTAL

VIBRATION = 10~55HZ 10G
 SHOCK = 30G
 I.P. RATING = 54

OPTIONS

1 mA, 24V SWITCH
 5 A, 125V MICRO SWITCH
 DUAL GANGED,
 IP65 RATING.



2251 LAS PALMAS DRIVE
 CARLSBAD, CA 92009
 PHONE: (760) 929-0749
 FAX : (760) 929-0748
 WWW.ETISYSTEMS.COM

TITLE
**FOOT
 PEDAL**

PART NO.
FC200E-10